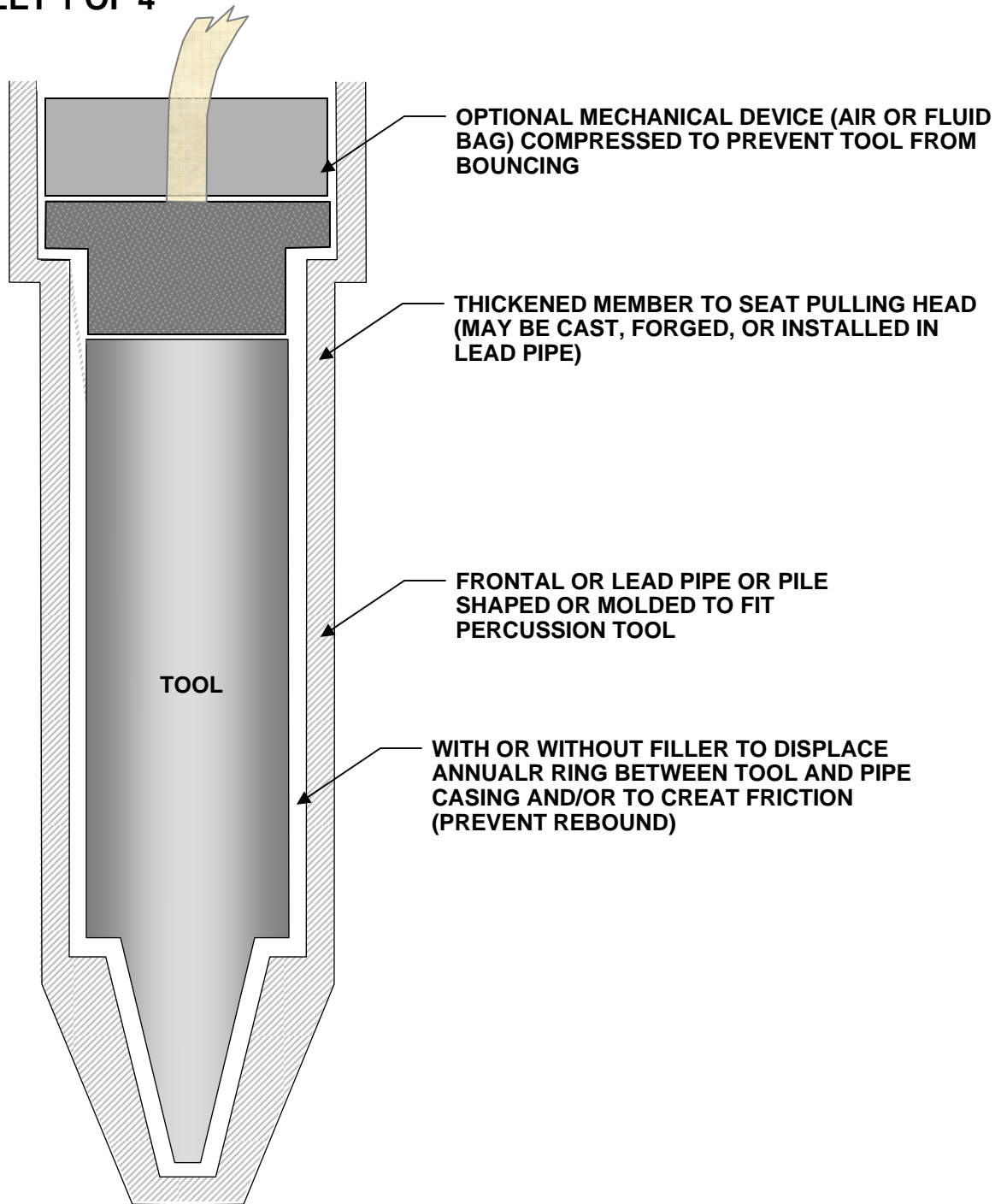


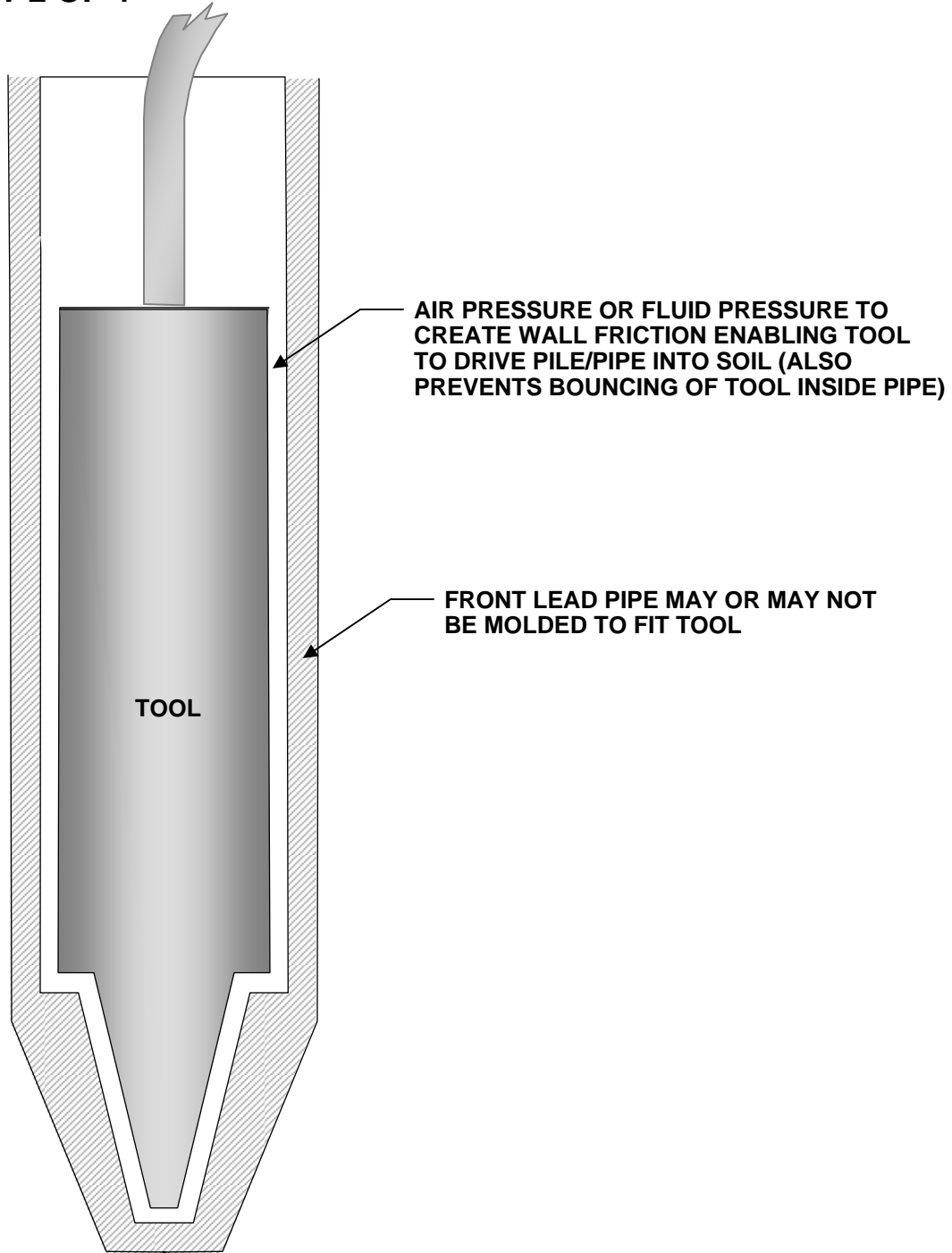
SHEET 1 OF 4



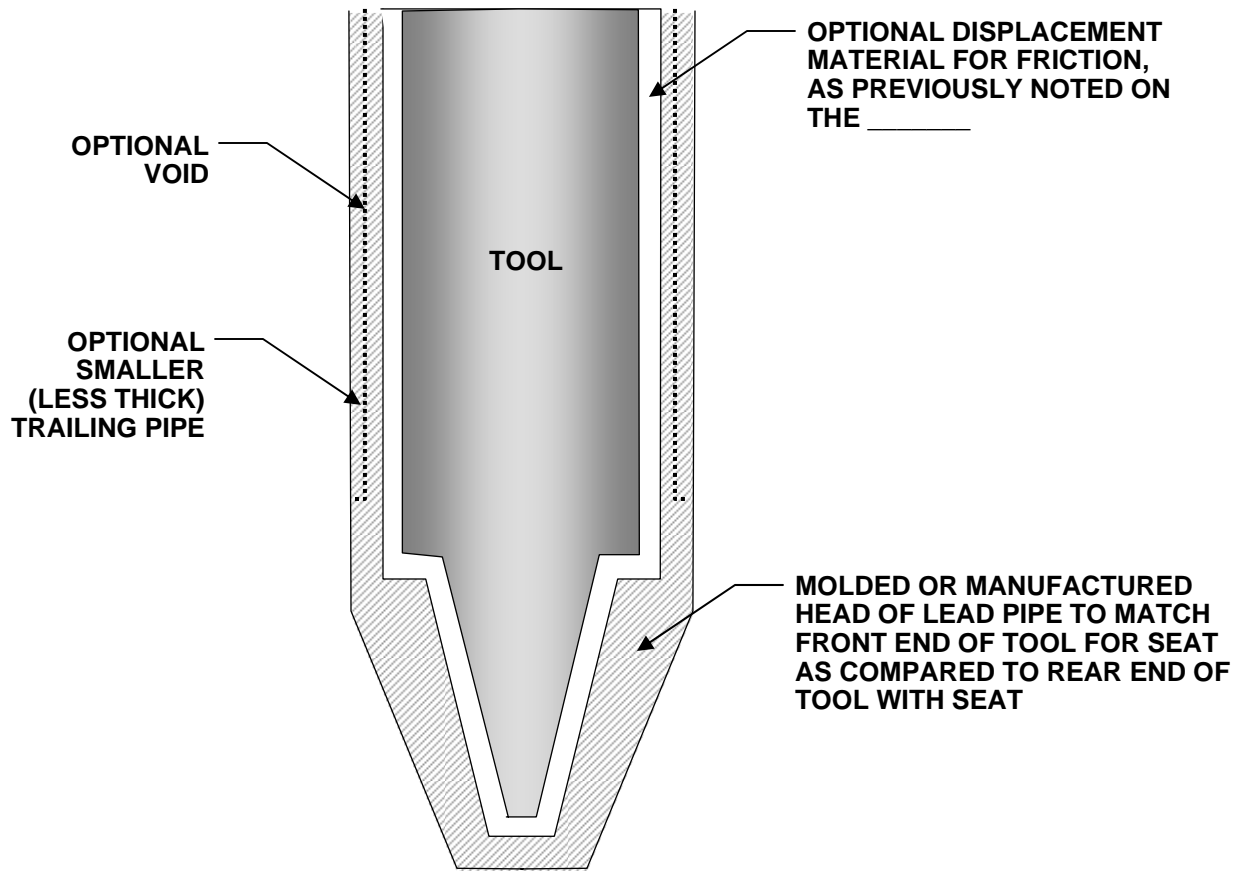
NOTES:

- TIP OF TOOL MAY OR MAY NOT BE APPLYING PRESSURE TO TOP OF PILE OR LEAD CASING
- PULLING LEAD END TIP MAY BE BOTH SEPARATELY PUSHING OR PULLING
- ALLOWS PIPE TO BE CONTINUOUS AT THE TOP, I.E., NO HOLES = WATER-TIGHT PILE

SHEET 2 OF 4

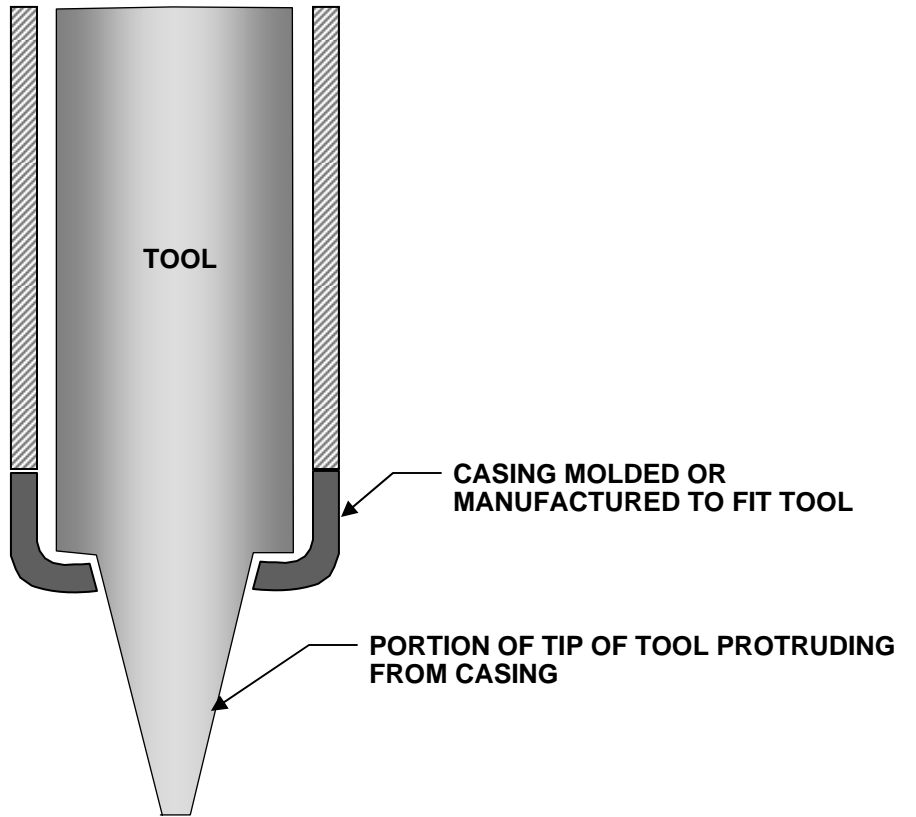


SHEET 3 OF 4



NOTES:
BASIC OVERVIEW; PIPE IS LEFT IN SOIL AFTER TOOL IS REVERSED (BANKED) OUT

SHEET 4 OF 4



NOTE:
SEAT AT TIP OF TOOL PUSHING RATHER
THAN PULLING FROM REAR