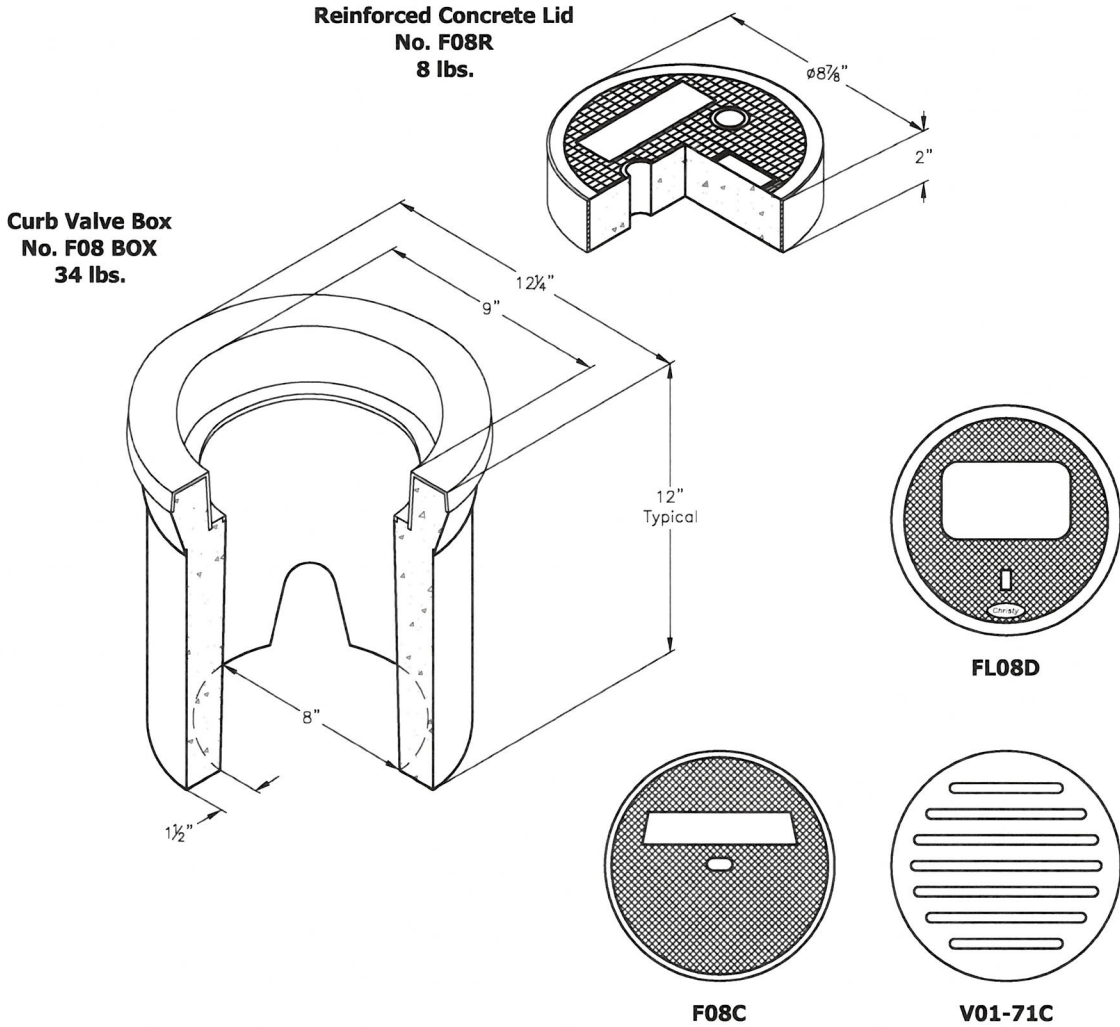


UTILITY & VALVE BOXES

- Etched polypropylene face
- Face anchored in concrete
- Ultra-violet inhibitor
- Exceeds ASTM-D1693 Standards for Environmental Stress Cracking Resistance



A high density reinforced concrete box with non-settling shoulders positioned to maintain grade and facilitate back filling. Approximate dimensions and weight shown.

| Oldcastle Ordering Code | Item | Approx. Shipping Weight | Description |
|-------------------------|------|-------------------------|---|
| F08BOX | BOX | 34 lbs. | F08 Curb Valve Box (8" I.D. x 12" High) - 48 per pallet |
| F08R | LID | 8 lbs. | Reinforced Concrete Lid with Plastic Ring |
| F08C | LID | 8 lbs. | Cast Iron Lid |
| FLO8D | LID | 2 lbs. | Fibrelyte Lid, Non-Concrete |
| V01-71C | LID | 12 lbs. | Cast Iron Grate ADA Compliant |



F08 BOX

FILE NAME: F08_ISO
ISSUE DATE: January, 2011

F08 CURB VALVE BOX 8" I.D. x 12" CHRISTY